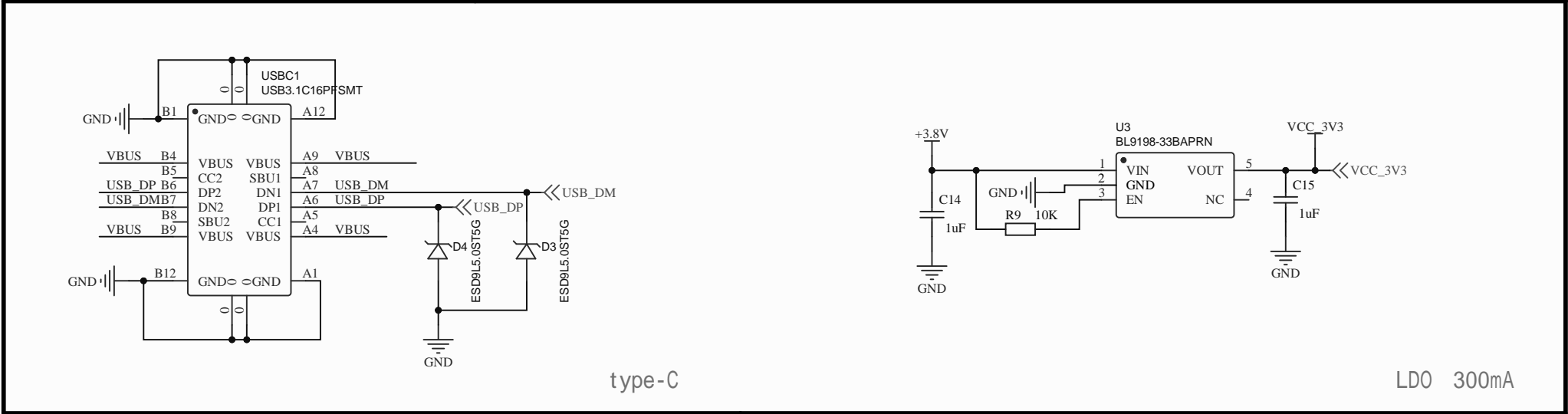
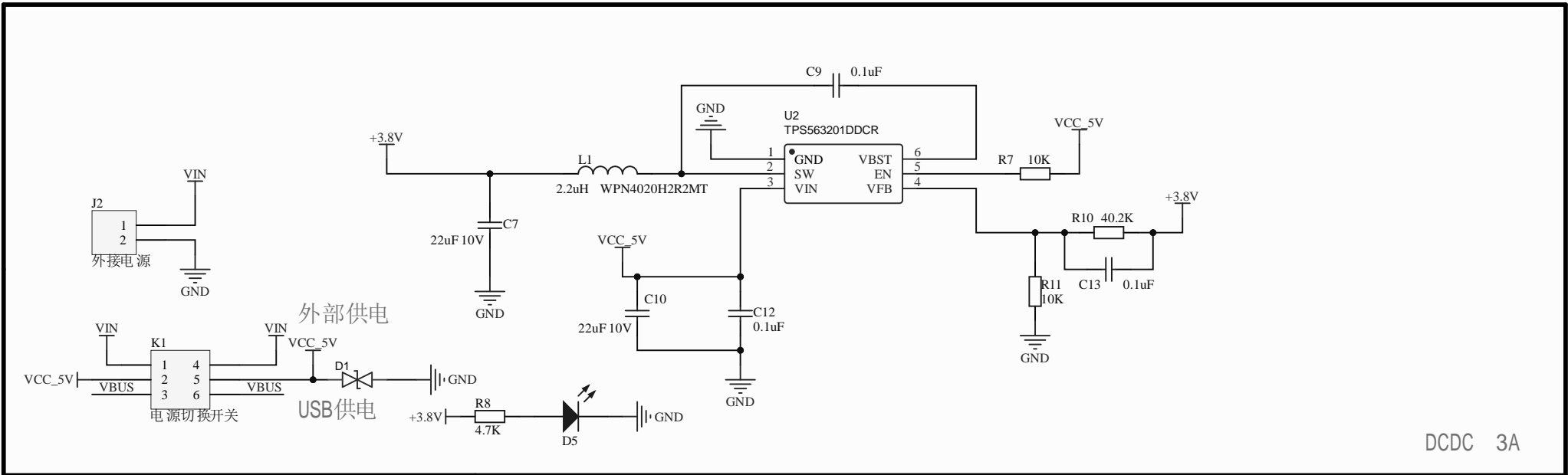
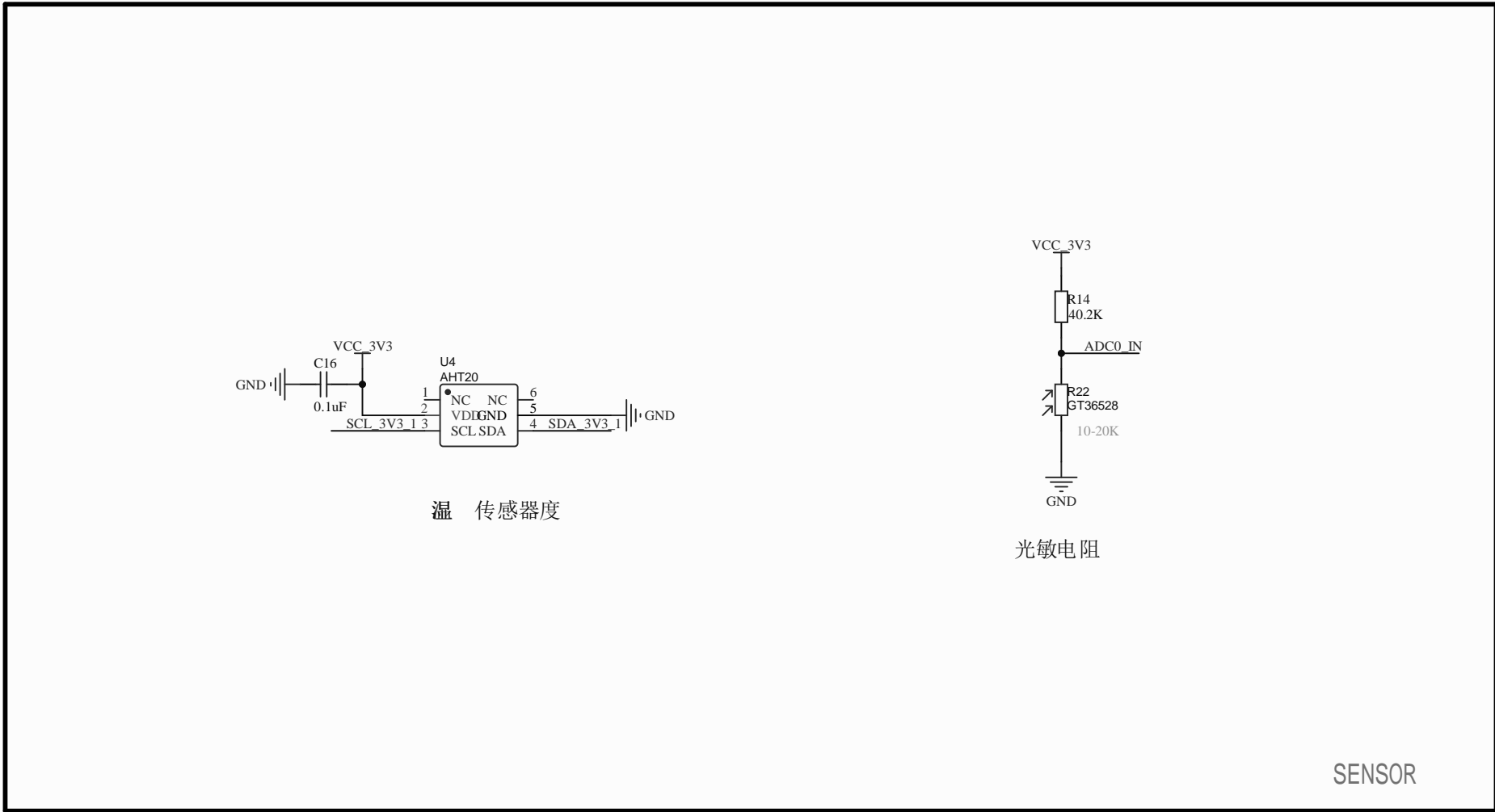


Title EC600X		
Size A2	Number	Revision
Date 3-31-2023	Sheet of 1	Drawn By:
File G:\11\11_EC600X_SchDoc	Sheet of 1	



Title		
Size	Number	Revision
A4		
Date:	3-31-2023	Sheet of
File:	G:\ 顯...2.POWER.SchDoc	Drawn By:

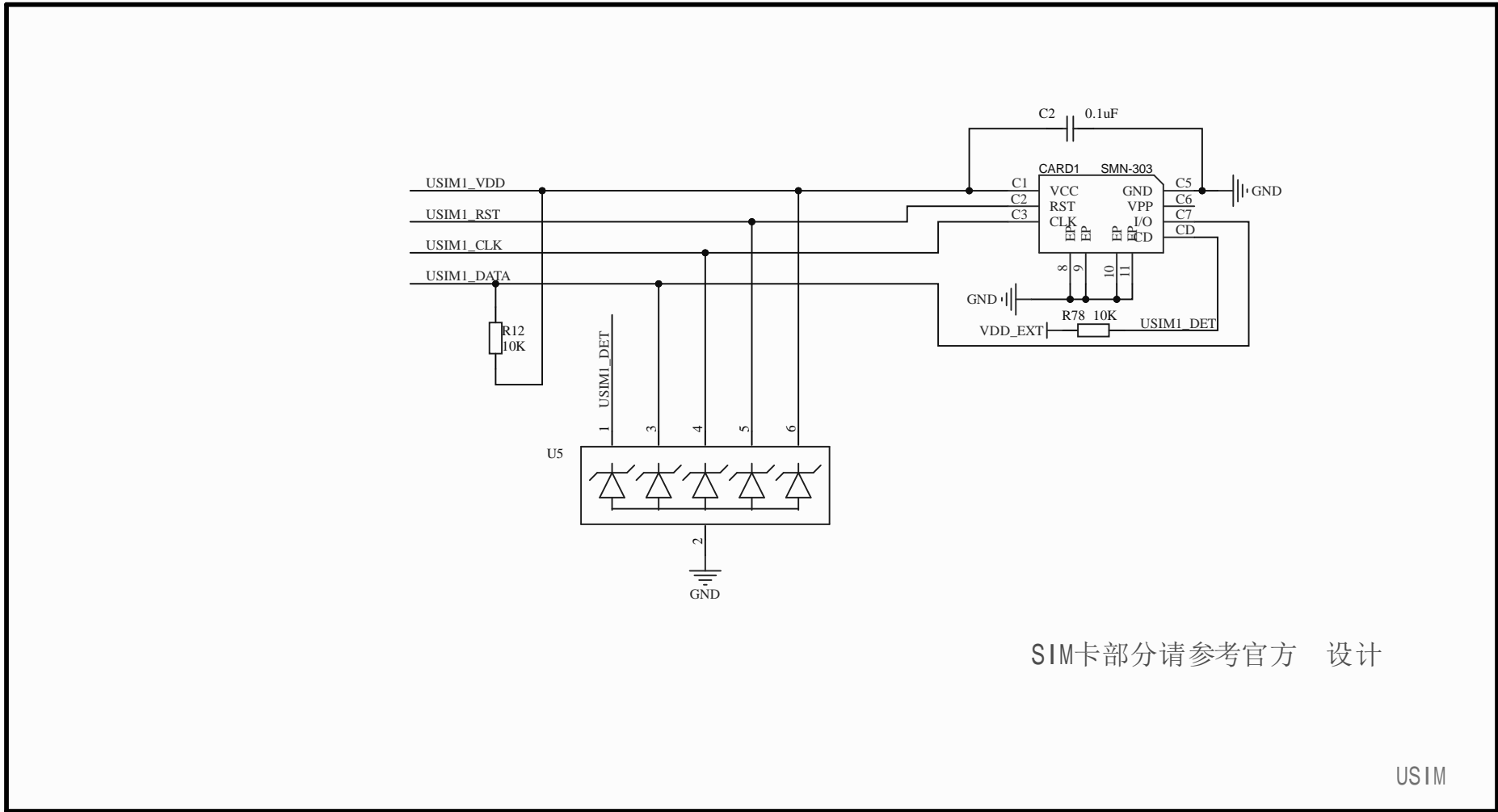


湿 传感器度

光敏电阻

SENSOR

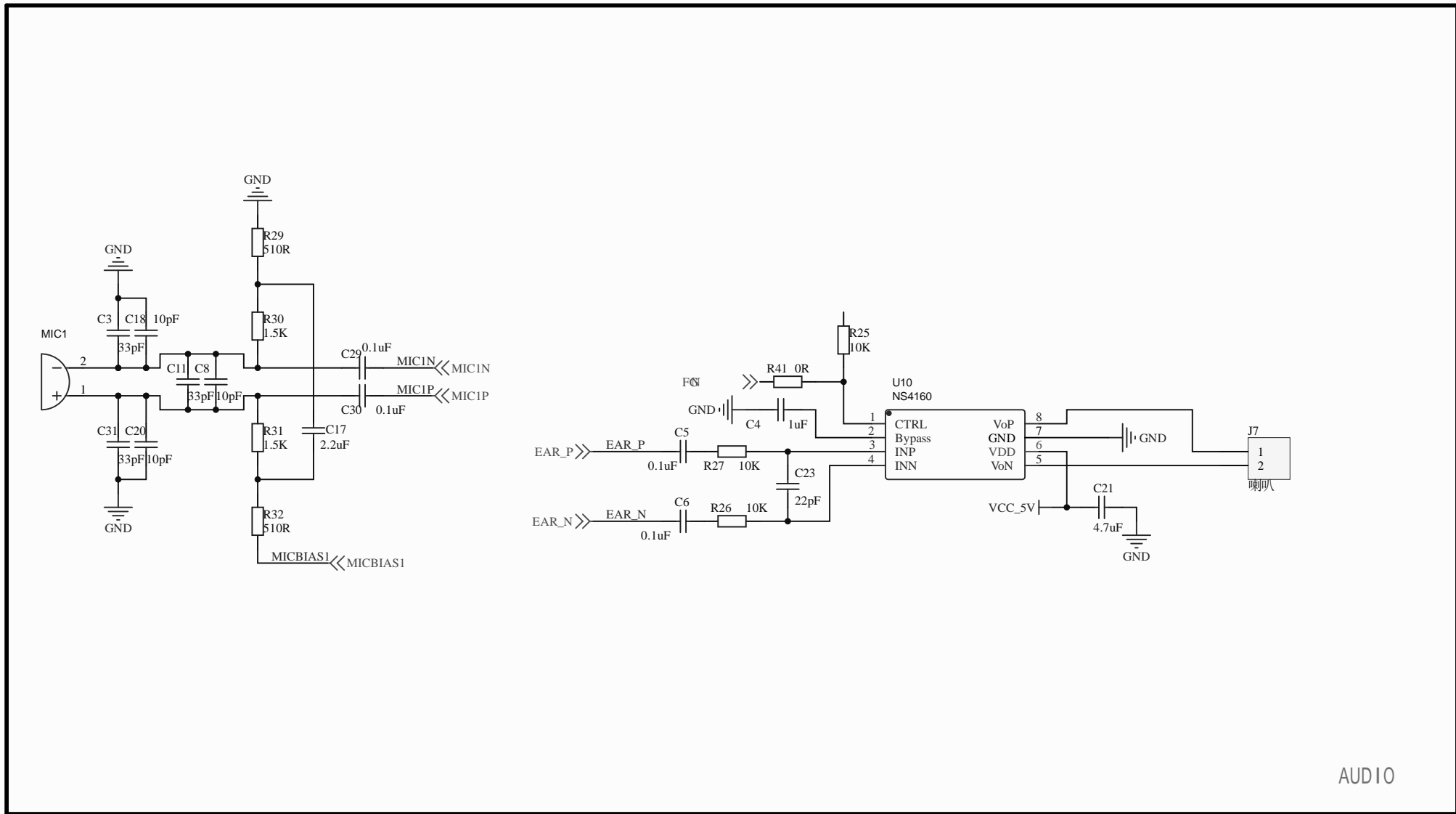
Title		
Size	Number	Revision
A4		
Date:	3-31-2023	Sheet of
File:	G:\ 顯 \ 3.SENSOR+EEPROM.SchDoc Drawn By:	



SIM卡部分请参考官方 设计

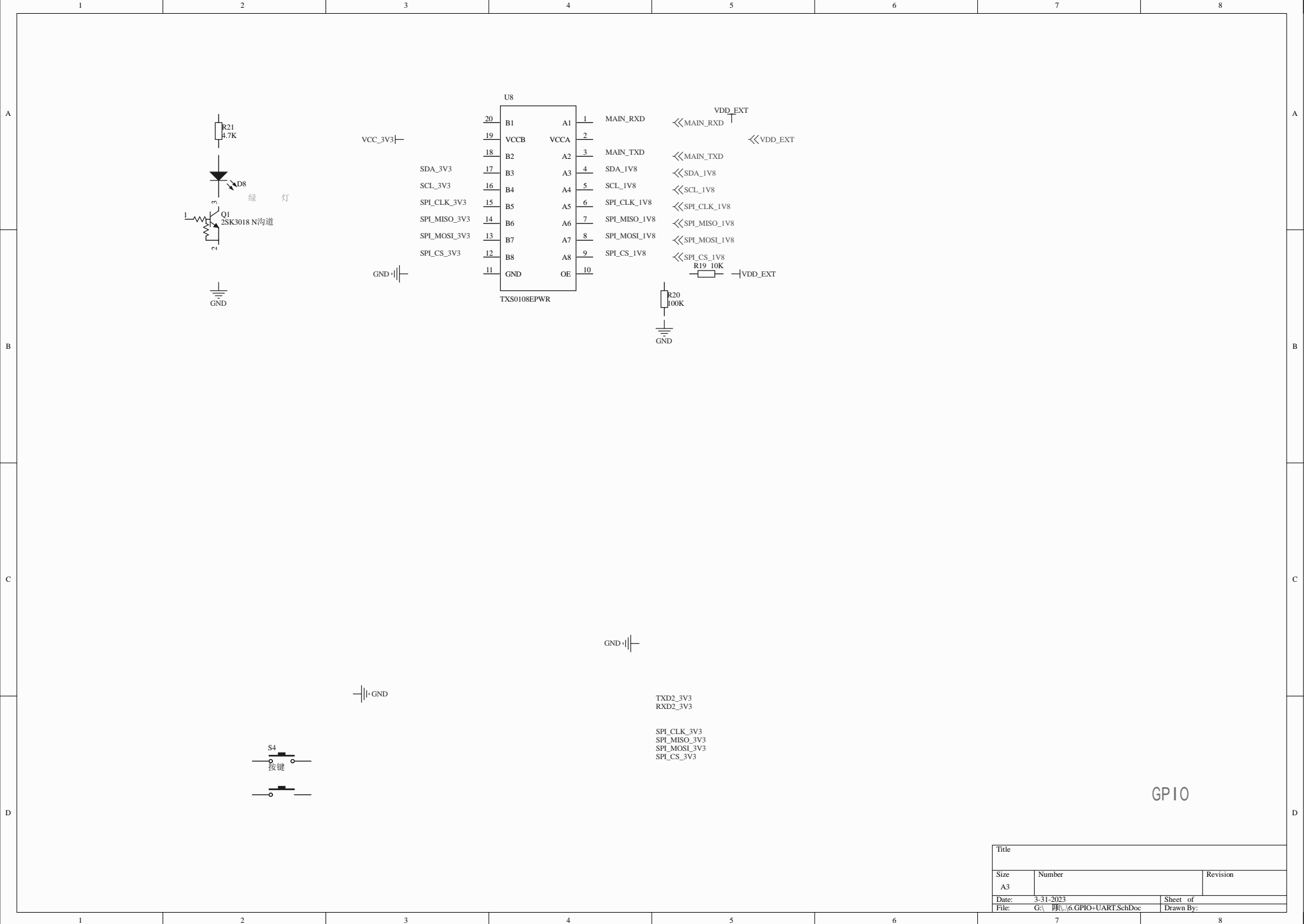
USIM

Title		
Size	Number	Revision
A4		
Date:	3-31-2023	Sheet of
File:	G:\ 项目\4.SIM-CARD.SchDoc	Drawn By:



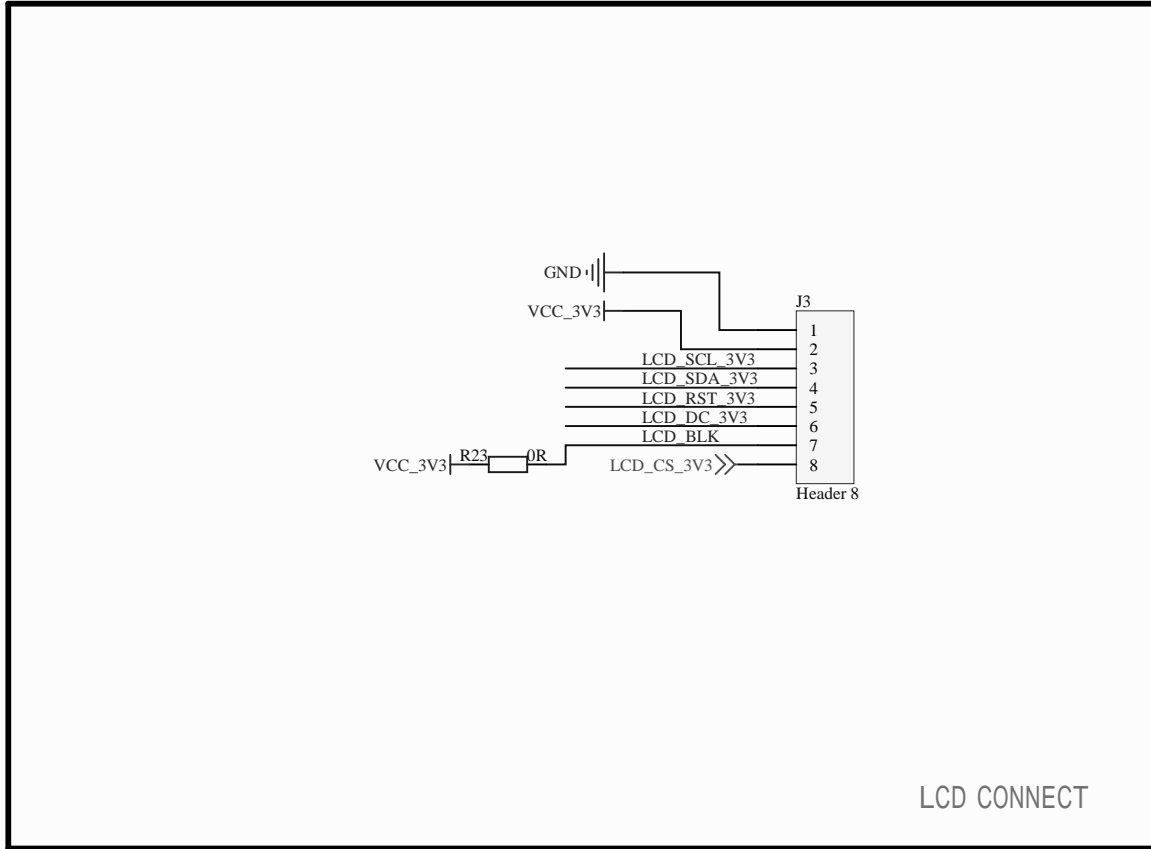
AUDIO

Title		
Size	Number	Revision
A4		
Date:	3-31-2023	Sheet of
File:	G:\ 顯\5.AUDIO.SchDoc	Drawn By:



GPIO

Title		
Size A3	Number	Revision
Date: 3-31-2023	Sheet of	
File: G:\...\6.GPIO+UART.SchDoc	Drawn By:	



LCD CONNECT

Title		
Size A4	Number	Revision
Date:	3-31-2023	Sheet of
File:	G:\ 顯...7.LCM.SchDoc	Drawn By: